



**Content:**

- 1. KSL becomes Keilmann group**
- 2. New generation of filter manufacture units – FPS 300**
- 3. Tectextil 2009**

**1. KSL becomes Keilmann group**

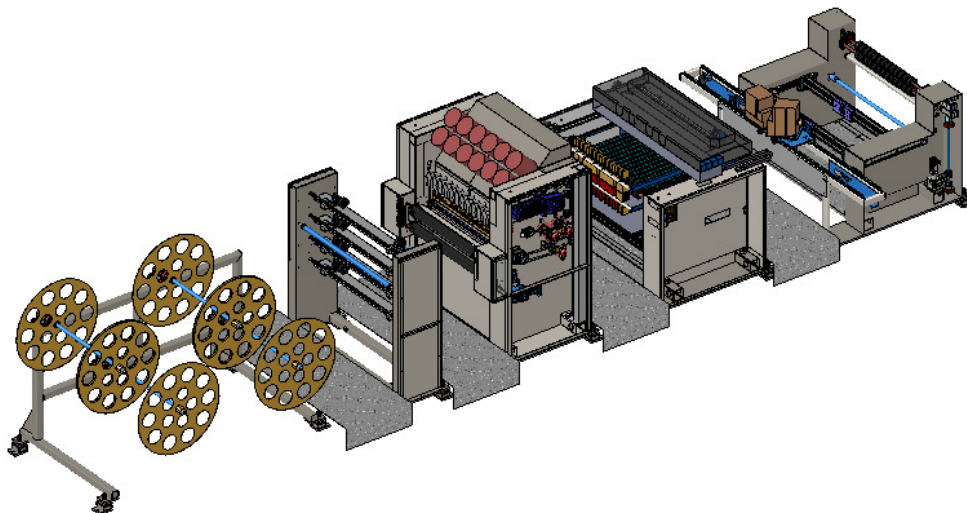
Since 2009 we unite our companies KSL, KSA, KSE und Advanced Composites under the name and umbrella brand „Keilmann group“.

A new logo often triggers questions: Do legal form, structure or entity change? Don't worry, everything remains the same. In contrary: With the new appearance of the Keilmann group we want to set a clear sign. We are standing to our name and know about the power of an owner-managed medium-sized company. Founded by Werner Keilmann and now managed by Robert Keilmann, the family business has gained internationally acknowledged competence. We will follow consequently and are proud of our power of innovation – for more than 45 years !

**2. New generation of filter manufacture units – FPS 300**

KSL proudly presents the new generation of filter Pocket manufacturing systems: **FPS 300 Filter Pocket System**

For manufacture of filter pockets out of glass- and synthetic material with the newest, most sophisticated technology available.



Why miss the chance to convince yourself?

From June 16 through June 18, 2009 our staff will take the time to show you around and introduce this equipment to you.

So please let us know you are interested by mail to [amyers@ksl-lorsch.de](mailto:amyers@ksl-lorsch.de)

Shall you make plans to visit the Tectextil, we offer a ride from the exhibition to our premises for a personal demonstration of the unit.

### 3. Techtexsil 2009

The Techtexsil 2009 opens its gates in Frankfurt/Main from June 16 through 18  
you will find us in hall 3.0 stand B 002

Our staff is looking forward to meeting you.

For your convenience please set up a date and time to make sure we  
reserve the time for you.

Pls. contact: Mr. Dieter Schätz, mobile: +49 172 8181-662 or mail  
[dschaetz@ksl-lorsch.de](mailto:dschaetz@ksl-lorsch.de) for an appointment and free ticket.



If you do not wish to receive any further issues of our newsletter, please write an e-mail to [info@ksl-lorsch.de](mailto:info@ksl-lorsch.de)

#### Contact and legal notice:

KSL Keilmann Sondermaschinenbau GmbH  
Bensheimer Str. 101  
64653 Lorsch  
Germany

Phone: +49 6251 9620-0

Fax: +49 6251 9620-26

Website: <http://www.ksl-lorsch.de>

e-Mail: [info@ksl-lorsch.de](mailto:info@ksl-lorsch.de)

Company's registered office: Lorsch  
Register court: Amtsgericht Darmstadt  
Entry in the commercial register: HRB 21978  
Managing Director: Robert Keilmann

This e-mail may contain confidential and/or privileged information. If you are not the intended recipient (or have received this e-mail in error) please notify the sender immediately and destroy this e-mail. Any unauthorized copying, disclosure or distribution of contents of this e-mail is strictly prohibited. All KSL Keilmann Sondermaschinenbau GmbH e-mails are created thoroughly; nevertheless we do not accept any legal obligation for the information and wording contained herein.

KSL Keilmann Sondermaschinenbau GmbH has taken precautionary measures to reduce the risk of possible distribution of virus infected software or emails. However, we advise you to check attachments to this e-mail for viruses. Except for cases of intent or gross negligence, we cannot accept any legal obligation for loss or damage by virus infected software.